



High performance LED tall pack. Covers footprint of most HID Tall packs. Vandal resistant lens. Precision die-cast aluminum. 0-10V dimmable driver with 120-277V photocell.

Color: White

Weight: 6.5 lbs

Project:	Type:
Prepared By:	Date:

Driver Info		LED Info	
Type	Constant Current	Watts	40W
120V	0.34A	Color Temp	5000K (Cool)
208V	0.20A	Color Accuracy	77 CRI
240V	0.17A	L70 Lifespan	100,000 Hours
277V	0.15A	Lumens	4,643 lm
Input Watts	35W	Efficacy	132.6

Technical Specifications

Compliance

UL Listed:

Suitable for wet locations. Wall mount only.

IP Rating:

Ingress protection rating of IP66 for dust and water

IESNA LM-79 & LM-80 Testing:

RAB LED luminaires and LED components have been tested by an independent laboratory in accordance with IESNA LM-79 and LM-80.

DLC Listed:

This product is on the Design Lights Consortium (DLC) Qualified Products List and is eligible for rebates from DLC Member Utilities. Designed to meet DLC 5.1 requirements.
DLC Product Code: S-96NBGZ

Performance

Lifespan:

100,000-Hour LED lifespan based on IES LM-80 results and TM-21 calculations

Wattage Equivalency:

Equivalent to 100W HPS

LED Characteristics

LEDs:

Long-life, high-efficacy, surface-mount LEDs

Color Stability:

LED color temperature is warranted to shift no more than 200K in color temperature over a 5-year period

Color Uniformity:

RAB's range of Correlated Color Temperature follows the guidelines of the American National Standard for Specifications for the Chromaticity of Solid State Lighting (SSL) Products, ANSI C78.377-2017.

Optical

BUG Rating:

B1 U4 G3

Construction

Ambient Temperature:

Suitable for use in up to -40°C (-40°F) to 40°C (104°F)

Cold Weather Starting:

The minimum starting temperature is -40°C (-40°F)

Thermal Management:

Superior thermal management with die-cast aluminum heatsink

Housing:

Precision die-cast aluminum

Refractor Lens:

High-impact, diffuse, UV-stabilized polycarbonate

Mounting:

Three (3) 1/2" NPS conduit entry points (2 sides for through-feed, and bottom), and drilling template for easy wall box mounting

Reflector:

High-gloss white aluminum

Gaskets:

High-temperature silicone gaskets

Finish:

Formulated for high durability and long-lasting color

Green Technology:

Mercury and UV free. RoHS-compliant components.

Electrical

Driver:

Constant Current, Class 2, 120-277V, 50-60Hz, 120V: 0.34A, 208V: 0.20A, 240V: 0.17A, 277V: 0.15A

Dimming Driver:

0-10V dimming driver standard for ultimate flexibility. Use as on/off or utilize the 0-10V DC dimming circuit for controls.

Technical Specifications (continued)

THD:
11.12% at 120V, 9.45% at 277V

Power Factor:
98.2% at 120V, 95.6% at 277V

Photocell:
Photocell is rated for 120V thru 277V. to disable, simply use the provide silicone rubber cap and cover.

Other

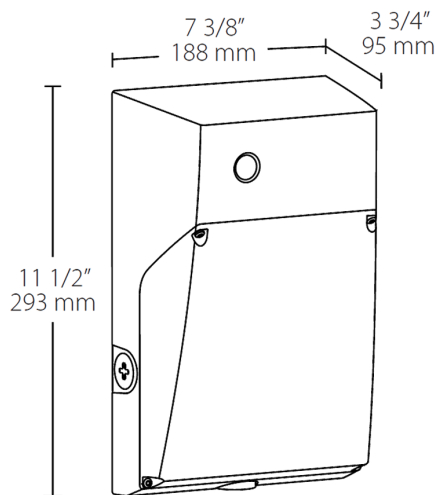
Warranty:
RAB warrants that our LED products will be free from defects in materials and workmanship for a period of five (5) years from the date of delivery to the end user, including coverage of light output, color stability, driver performance and fixture finish. RAB's warranty is subject to all terms and conditions found at rablighting.com/warranty.

Patents:
The design of WPTLED is protected by patents pending in US, Canada, China, Taiwan and Mexico

FTC Country of Origin:
This product was assembled in the USA by RAB using imported components

Buy American Act Compliance:
This product complies with the Buy American Act

Dimensions



Features

- Covers footprints of most HID tall packs
- 0-10V dimmable driver & 120 - 277V photocell
- Vandal-resistant lens
- 100,000-Hour LED lifespan

Ordering Matrix

Family	Wattage	Color Temp	Finish	Dimming	Photocell	Lightcloud	Other Options
WPTLED	40		W	/D10	/PC2		USA
	12 = 12W 25 = 25W 40 = 40W	Blank = 5000K Cool Y = 3000K Warm N = 4000K Neutral	Blank = Bronze W = White	/D10 = Dimmable	/PC2 = 120-277V Photocell	Blank = No Lightcloud® /LC = Lightcloud Controller	Blank = Standard USA = BAA Compliant